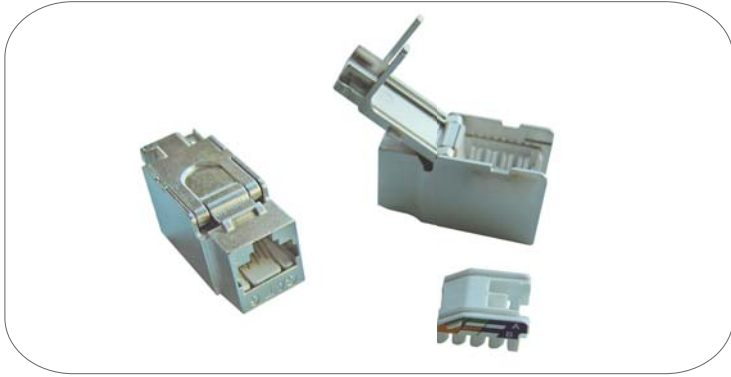


Cat.6 ezi-JACK¹⁸⁰ Shielded Keystone



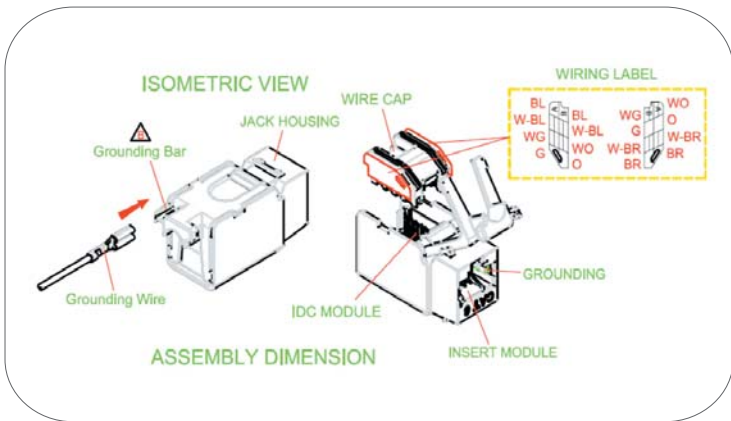
Applications

- Voice; T1; ISDN
- 10BASE-T (IEEE 802.3)
- 16Mbps Token Ring (IEEE802.5)
- 100VG-AnyLAN (IEEE802.12)
- 100BASE-T Ethernet (IEEE802.3)
- 155/622Mbps 1.2/2.4 Gbps ATM
- 1000Mbps Gigabit Ethernet
- 550MHz Broadband Video

Standards

- UL Listed
- ISO/IEC11801 2nd edition
- ANSI/TIA Standard 568-C.2
- CENELEC EN 50173

Construction



Features

- High performance, exceeds ANSI/TIA-568-C.2 Category 6 Hardware transmission performance
- 100% shielded for complete EMI/RFI protection
- 19" 24port patch panel, 1U size.
- 110 and Krone dual type IDC termination
- Accepts 22-26AWG, Stranded or solid wire
- Wiring: T568A/B

Environmental Conditions

- Temperature range:
Storage: -40 to +70°C
Operational: -10 to +60°C
- Relative humidity (operational): max. non-condensing 93%

Electrical Characteristics

- Insulation resistance: 500 Mega ohms min.
- Dielectric with standing voltage: 1,000 Volts, RMS, 60Hz, 1min.
- Contact resistance: 20 milli ohms max.
- Current rating: 1.5 AMPS at 20°C

Physical Characteristics

- Accepts 22-24 AWG, stranded or solid wire
- Jack wiring: 50 u" gold plated over 100 u" nickel
- Housing: Zinc-alloy fully shielded
- Spring wire: Phosphor Bronze Alloy Plated with 50 u" gold plated over 100 u" nickel
- IDC: Phosphor Bronze Alloy with 100 u" Sn Alloy

Mechanical Characteristics

- Insertion/Extraction life: 750 cycles minimum.
- Number of IDC terminations: 200 minimum.

Ordering Information

Part No.	Description	Std. Ctn. Qty
1305-04016	Cat.6 Fully Shielded Toolless Keystone Jack, T568A/ B, Component Level	70

Note Specifications are subject to change without any notice or obligation on the part of the manufacturer.