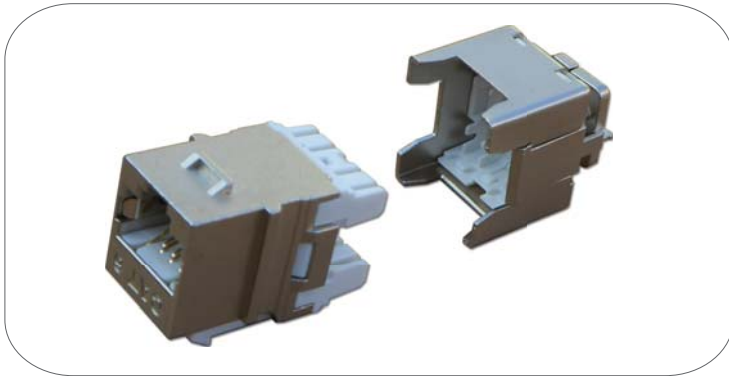


## Cat.6 ezi-JACK<sup>180</sup> Shielded Keystone



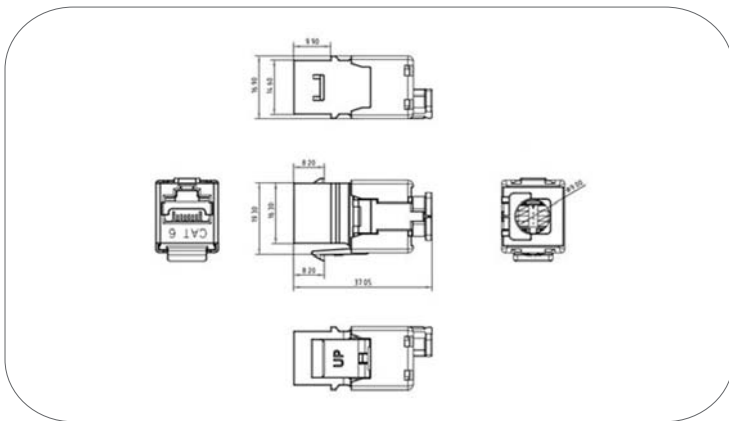
### Applications

- Voice; T1; ISDN
- 10BASE-T (IEEE 802.3)
- 16Mbps Token Ring (IEEE802.5)
- 100VG-AnyLAN (IEEE802.12)
- 100BASE-T Ethernet (IEEE802.3)
- 155/622Mbps 1.2/2.4 Gbps ATM
- 1000Mbps Gigabit Ethernet
- 550MHz Broadband Video

### Standards

- UL Listed
- ISO/IEC11801 2nd edition
- ANSI/TIA Standard 568-C.2
- CENELEC EN 50173

### Construction



### Features

- Meet all category 6 component performance requirements specified in ANSI/TIA-568-C.2
- 110 type IDC termination
- Accept 22~24AWG, stranded or solid wire
- Modular jack meet FCC part 68
- Wiring: T568A/B

### Environmental Conditions

- Temperature range:
  - Storage: -40 to +70°C
  - Operational: -10 to +60°C
- Relative humidity (operational): max. non-condensing 93%

### Electrical Characteristics

- Insulation resistance between any two conductors: 500 MegaOhms min.
- Dielectric with standing voltage: 1000V, RMS, 60HZ, 1 MIN.
- Contact resistance: 20 MilliOhms max.
- Current rating: 1.5 AMPS at 20°C

### Physical Characteristics

- Housing: Zinc-alloy fully shielded
- Contact material: Phosphor bronze alloy with 100 micro-inch 100% Sn Alloy
- Contact plating: 24 Karat hard gold (50 micro-inch plating thickness) over 100 micro-inch nickel.

### Mechanical Characteristics

- Total mating force: 800 grams for a 8 wire leads minimum.
- Retention: 30lbs min between the jack and plug.
- Insertion/Extraction life: 750 cycles minimum.
- Number of IDC terminations: 200 minimum.

## Ordering Information

Part No.	Description	Std. Ctn. Qty
1305-04048	Cat.6 110 vertical shielded keystone jack, T568A/B	200

Note Specifications are subject to change without any notice or obligation on the part of the manufacturer.